

→
REF. EL02
ELECTRIC TREATMENT TABLE



TECHNICAL FEATURES



2-section table

Length:	195 cm
Width:	66 cm
Height:	47,5-91,5 cm
Weight:	64 kg
Max. Load:	250 kg
Motors:	1
Foam thickness:	5 cm
Density:	36 kg/m ³
Upholstery:	PVC ● ●
Optional colors:	○ ● ● ● ● ●

MOTOR FUNCTIONS



- Height (flat position): 47,5-91,5 cm

MANUAL FUNCTIONS



- Backrest (-20° to +70°) inclination by gas lift

INCLUDES



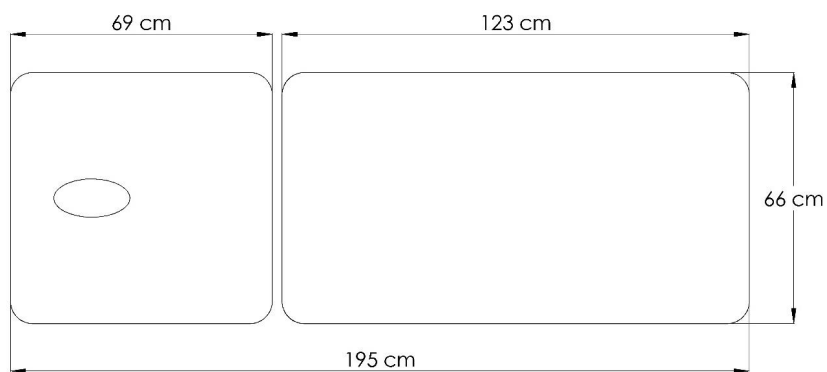
- Peripheral switch for height
- Breather hole
- 4 retractable big wheels system for easier movement
- Paper roll holder

CERTIFICATIONS



- Class I Medical Device. European regulation of medical devices (EU) 2017/745

→
REF. EL02
ELECTRIC TREATMENT TABLE



KG 250 kg
max

