

→  
REF. EL11  
ELECTRIC TREATMENT TABLE



### TECHNICAL FEATURES



Length:	210 cm
Width:	70 cm
Height:	50-92 cm
Weight:	62 kg
Max. Load:	250 kg
Motors:	1
Foam thickness:	5 cm
Density:	36 kg/m <sup>3</sup>
Upholstery:	PVC ●

### MOTOR FUNCTIONS



- Height (flat position): 50-92 cm

### MANUAL FUNCTIONS



- Hole headrest & armrest (-75° to +30°) inclination

### INCLUDES



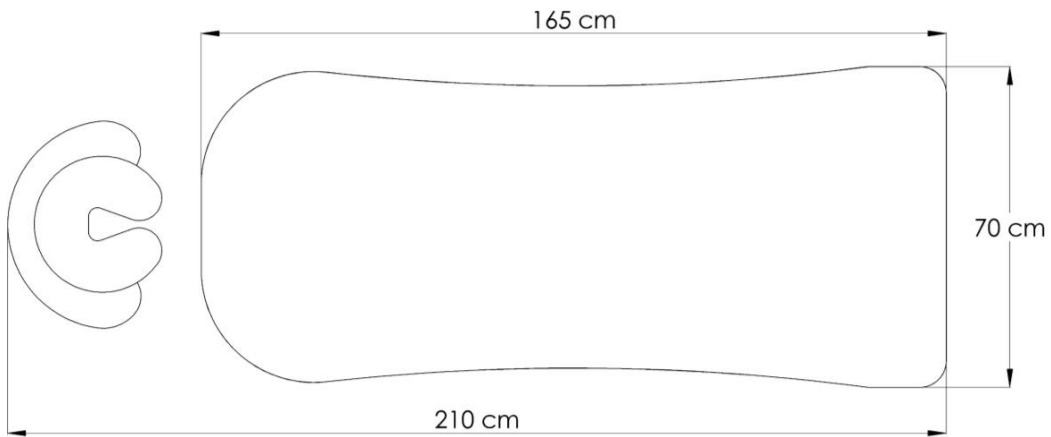
- Peripheral switch for height
- 4 retractable big wheels system for easier movement
- Paper roll holder

### CERTIFICATIONS



- Class I Medical Device. European regulation of medical devices (EU) 2017/745

→  
REF. EL11  
ELECTRIC TREATMENT TABLE



**KG** 250 kg  
max

