

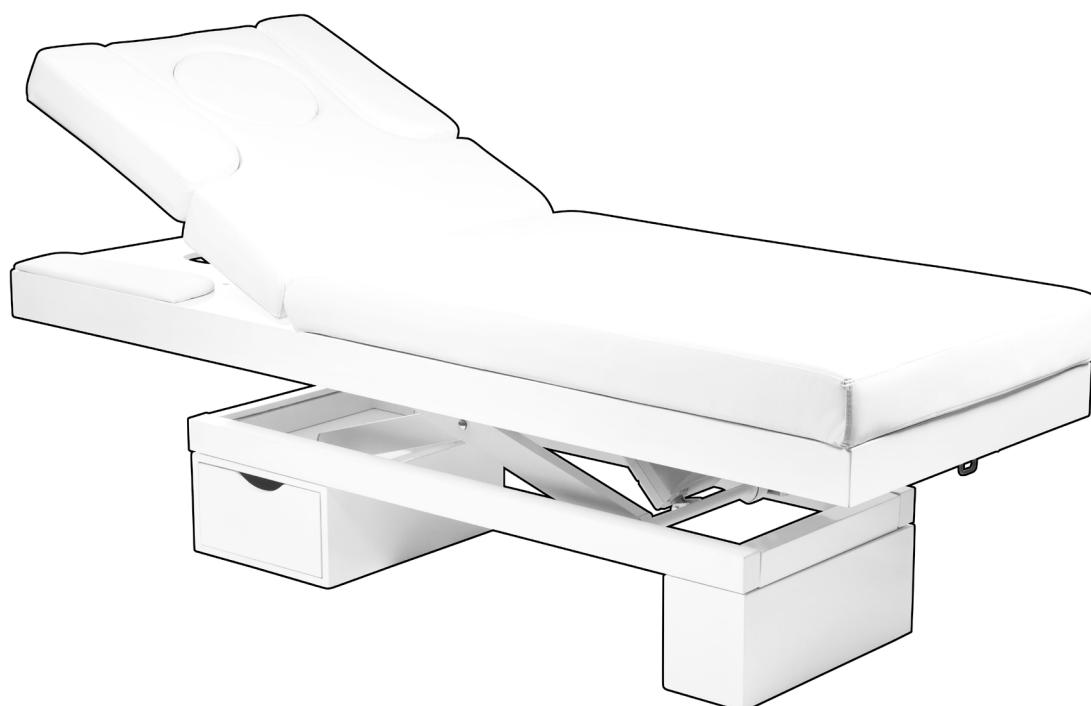
**SONIA**<sup>®</sup>  
BEAUTY CONCEPT



**HZ-3815B**

# Limb

Electric Spa Bed / Camilla eléctrica para spa / Table de spa électrique /  
Lettino elettrico Spa / Elektrische Spa-Liege



DDUUEETT EUROPE would like to thank you for choosing Sonia products. We hope that this instruction manual will help you get the most out of this product.

If you have any doubts regarding its use and/or operation, please contact your distributor.

## BEFORE USE

- Please read the entire instruction manual carefully before using the product. Take note of any warnings included in this manual.
- Always keep this instruction manual handy and if you give the device to another person, hand over the manual as it is an essential part of the product.
- Some components of the product may differ from the image that appears in catalogues, websites, brochures, etc.
- In order to enhance the product, the manufacturer reserves the right to modify its features and/or components without prior notice.

## CORRECT USE OF THE DEVICE

- This product has been designed to be used by beauty professionals at beauty salons and should not be used for other purposes.
- Please note that any misuse of the device entails the loss of the guarantee.
- Do not make any modification to the device without the authorisation of DDUUEETT EUROPE SL.
- DDUUEETT EUROPE SL shall not be held liable for any material or personal damage due to the misuse of the product.

## PRECAUTIONS

- Before using it for the first time and after each use, check the device and the mains cable for any damage.
- Unplug the device from the mains before starting to clean it or undertaking any type of maintenance.
- Do not use the product outdoors or in places where it may be affected by humidity or inclement weather.
- If the power supply cable is defective, unplug the appliance immediately and inform your dealer or specialised technician.
- Position the power supply cable properly so that people cannot trip over it and make sure you plug it into an earthed socket.
- At the end of the working day, disconnect the device and unplug the power supply cable from the mains.
- If you detect any anomaly in the operation of the product, please contact your distributor or specialised technician.

## SAFETY INDICATIONS

- The device and accessories should be kept out of the reach of children.
- Only plug the device into a properly installed socket. The local mains voltage must correspond to the technical specifications of the device.
- The power socket must be accessible in case you have to quickly unplug the device at any given time.
- Always pull out the actual plug and not the mains cable.
- Never tamper with any electrical component or open up/repair any component of the device.
- Only your distributor or specialised technician should repair the device.
- Do not switch on the device if there is visible damage to it or to the mains cable.
- Never touch the device or the mains cable with wet hands.
- Never expose your hands or any part of your body to any hole or vacuum on the bed while it is in operation.

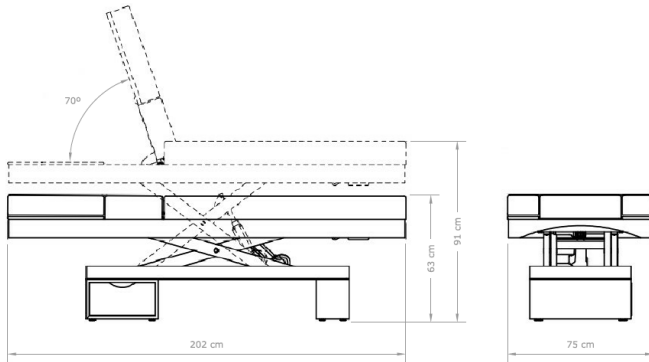
## CONTENTS

- Electric Spa Bed x 1 unit
- Cushions x 2 units
- Armrests x 2 units
- Wooden base and draw x 1 unit
- Wooden trims x 4 units
- Screw kit for assembly x 1 unit
- Instruction manual x 1 unit

## TECHNICAL SPECIFICATIONS

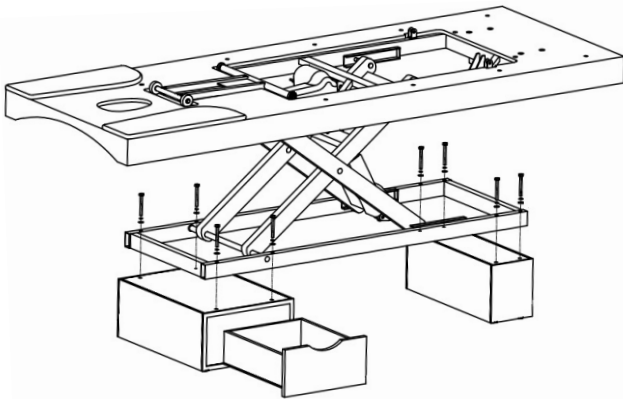
Dimensions	202x75x63-91 cm
Net weight	95 kg
Max. Load	200 kg
Motors	2
Upholstery	PU
Foam thickness	11 cm
Base	Wood
Voltage	220-240 V
Input frequency	50/60 Hz
Includes	- Hand controller - LED light on the base

## SKETCH AND DIMENSIONS

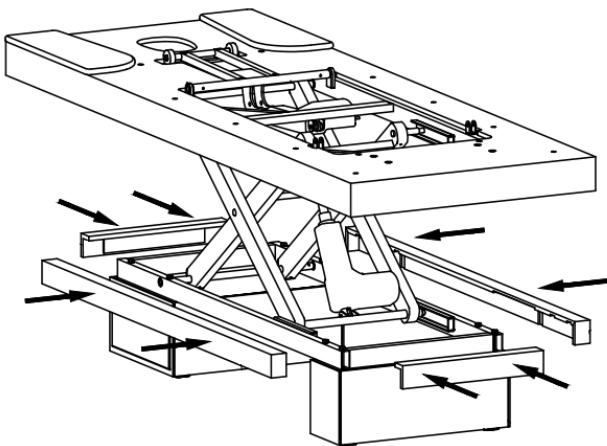


## INSTRUCTIONS FOR ASSEMBLY

- Place the wooden base and draw under the table, so that the holes in the metal structure line up with the screw holes.
- Insert the screws and tighten them evenly with the appropriate tool.

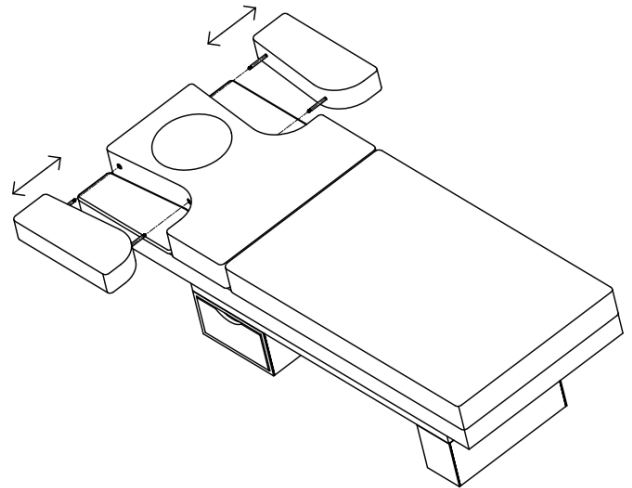


- Place the 4 wooden trims onto the metal structure, pressing with your hands to ensure that the Velcro is properly stuck on.
- For the 2 longer trims, remember that there are grooves inside. These grooves indicate the side of the structure on which they must be installed to fit properly.



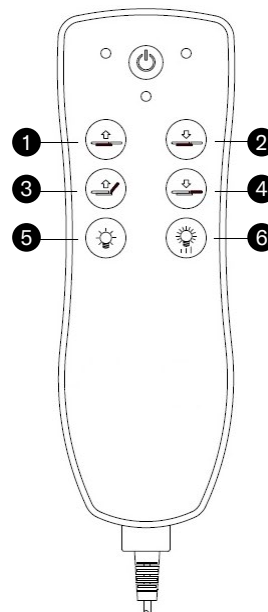
- Insert the armrest in the correct position so that the pin fits with the plastic part of the stretcher body and push it in until the stop.

- Perform the same procedure on the 2 armrests.



## OPERATION

- Connect the bed to an electrical outlet using the power cord.
- Hand controller



- Press the button to activate the control knob. The red indicator will light up and all its functions can be used.
- Adjusting height
  - Use the buttons **1** and **2** of the hand controller to adjust the bed height.
- Adjusting backrest tilt
  - Use the buttons **3** and **4** of the hand controller to adjust the tilt of the backrest.
- Press the button **5**. repeatedly to change the colour of the LED lights on the base. After five presses, it will enter cyclic colour mode, and with one more press it will turn off.
- Press the button **6** to adjust the power of the LED lights on the base. Pressing repeatedly will decrease the brightness until reaching a minimum level, after which it will begin to increase again.

## **CLEANING AND MAINTENANCE**

- Before cleaning the device, unplug it from the mains.
- Clean the device with a soft, dry cloth. Do not use liquids to clean it.
- For maintenance or repairs of any part of the product, please contact your distributor or specialised technician.

## **RECYCLING**

If you need to dispose of the product or any of its parts or accessories, please check and respect the laws and regulations applicable to waste management and environmental protection.