

→  
**REF. HZ-3805G**  
**LUXURY SPA BED**



## TECHNICAL FEATURES



Length:	190 cm
Width	
With armrest:	94 cm
Without armrest:	70 cm
Height:	72-90 cm
Foam Thickness:	8 cm
Weight:	81 kg
Max. Load:	150 kg
Motors:	3
Upholstery:	PU ○

## CERTIFICATIONS



- 2014/30/EU Electromagnetic Compatibility
- 2014/35/EU Low Voltage Directive

## MOTOR FUNCTIONS



- Height (flat position): 72-90 cm
- Backrest 70° inclination
- Footrest 20° inclination

## INCLUDES



- Hand controller
- Breather hole with cushion
- Armrest
- Paper roll holder

## ACCESSORIES



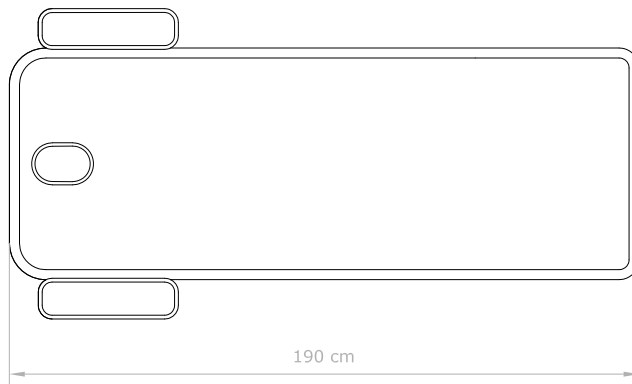
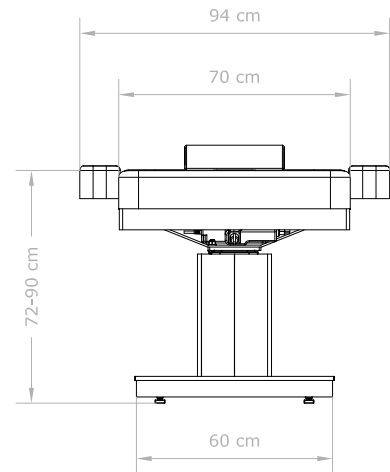
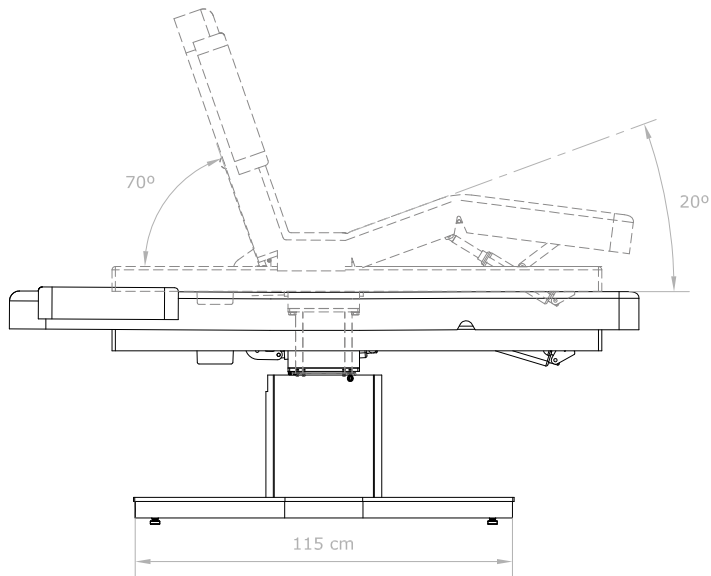
- Bed Cover

# Bergman

→  
TECHNICAL DATA SHEET

sonia®  
BEAUTY CONCEPT

→  
REF. HZ-3805G  
LUXURY SPA BED



150 kg