

# Capha

→  
TECHNICAL DATA SHEET

sonia®  
BEAUTY CONCEPT

→  
REF. HZ-3869AS  
ELECTRIC PEDICURE CHAIR



## TECHNICAL FEATURES



Length:	178 cm
Width	
With armrest:	88 cm
Without armrest:	60 cm
Height:	60-100 cm
Weight:	81 kg
Max. Load:	200 kg
Motors:	5
Upholstery:	PU ○

## CERTIFICATIONS



- 2014/30/EU Electromagnetic Compatibility
- 2014/35/EU Low Voltage Directive

## MOTOR FUNCTIONS



- Height (flat position): 60-100 cm
- Trendelenburg 15°
- Backrest 80° inclination
- Footrest 1 (90° inclination)
- Footrest 2 (90° inclination)

## MANUAL FUNCTIONS



- Headrest inclination and ±18 cm extendable
- Extendable footrest
- Seat rotation: ± 90°

## INCLUDES



- Hand Controller

## ACCESSORIES



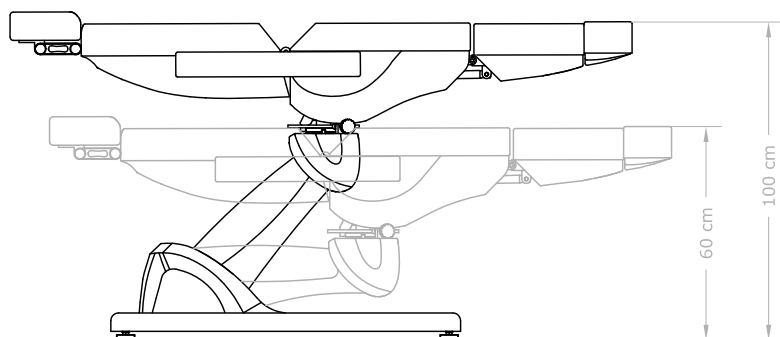
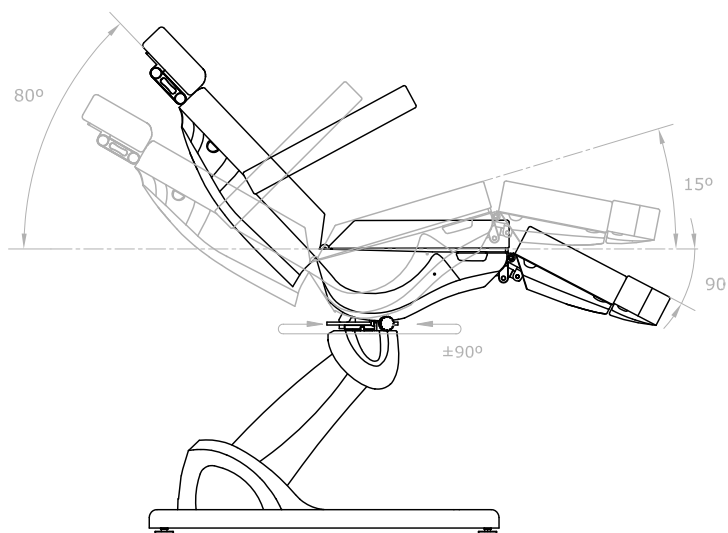
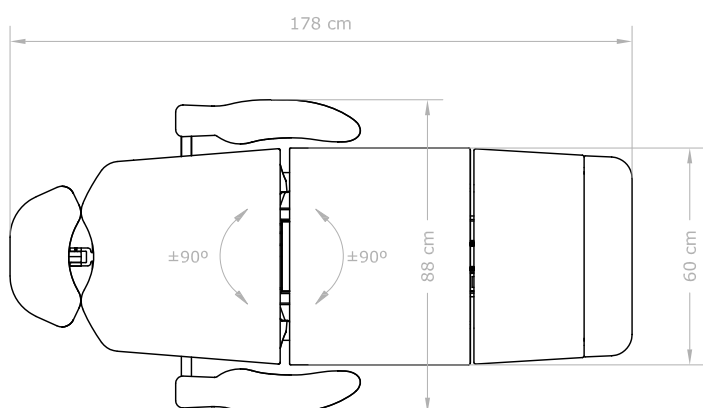
- NEB 5 Foot Controller
- IOT Hole Headrest
- Bed Cover

# Capha

→  
TECHNICAL DATA SHEET

sonia®  
BEAUTY CONCEPT

→  
REF. HZ-3869AS  
ELECTRIC PEDICURE CHAIR



**KG** 200 kg  
max